

Design Mario Mazzer

VERSIONI E MATERIALI

Poltrona con gambe in frassino. Seduta in legno curvato, imbottita, rivestimenti da campionario. Carter posteriore a vista in varie tinte di frassino.






VERSIONS AND MATERIALS



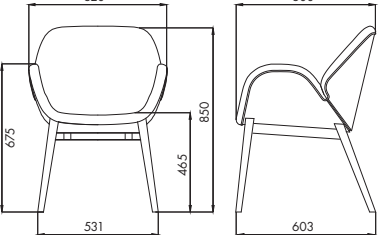
Armchair with ash wood legs. Seat made of bent wood, padded, materials from sample book. Rear cover in various shades of ash wood.

VERSIONS ET MATÉRIAUX

Fauteuil avec pieds en bois de frêne. Assise en bois courbé, rembourré selon nuancier. Carter arrière à voir dans différentes nuances de frêne.

Scocca / Shell / Coque		Struttura / Frame / Structure	
Legno / Wood / Bois	Pg. XVIII - XXIX	Legno / Wood / Bois	Pg. XVIII - XXIX
 LE11 Frassino naturale Ash Frêne naturel	 LE12 Frassino color noce Ash stained walnut Frêne noyer	 LE16 Frassino tinto nero Ash stained black Frêne timenté noir	 LE11 Frassino naturale Ash Frêne naturel
		 LE12 Frassino color noce Ash stained walnut Frêne noyer	 LE16 Frassino tinto nero Ash stained black Frêne timenté noir

Rivestimenti / Materials / Revêtements					
Cat A	Pg. XVI	Cat B	Pg. XVI	Cat C	Pg. XVI
Spalmato 90% Wool, 10% nylon 		Stone Velvet 88% PL, 12% PE		Capri 100% PL	
Touch 88% PL, 12% PE 		Origami 88% PL, 12% PE		Velluto Luna 88% PL, 12% PE 	
		Jojo 100% WO			
					Cat D Pg. XVI
					Cat E Pg. XVI
					Cat PE Pg. XVI
					Plush 100% WO
					Tsunami 88% PL, 12% PE
					Hero 90% Wool, 10% nylon 
					Pelle Miami 100% PL 

Varianti / Variants / Variantes							
Art.		Descrizione / Description / Description	 cm	M3	N.	Tot Kg Box	
2070		POLTRONCINA CON BASE E CARTER IN FRASSINO, IMBOTTITA Ash armchair with ash base and carter, upholstered Fauteuil en bois de frêne avec carter en bois de frêne, rembourré		50x58x105	0,30	2	10