

Baby Geo – Armchair

Paolo Grasselli, 2019

The Geo collection is enriched with a fun element: a completely rounded armchair created utilizing the namesake pouf as its seat. The metal rod structure supports the curved padded wooden back. The proportions are generous without being over-bearing. The 75 cm Geo poufs are designed to accommodate the structure of the backrest that can be easily attached to the base of the pouf even at a later time.

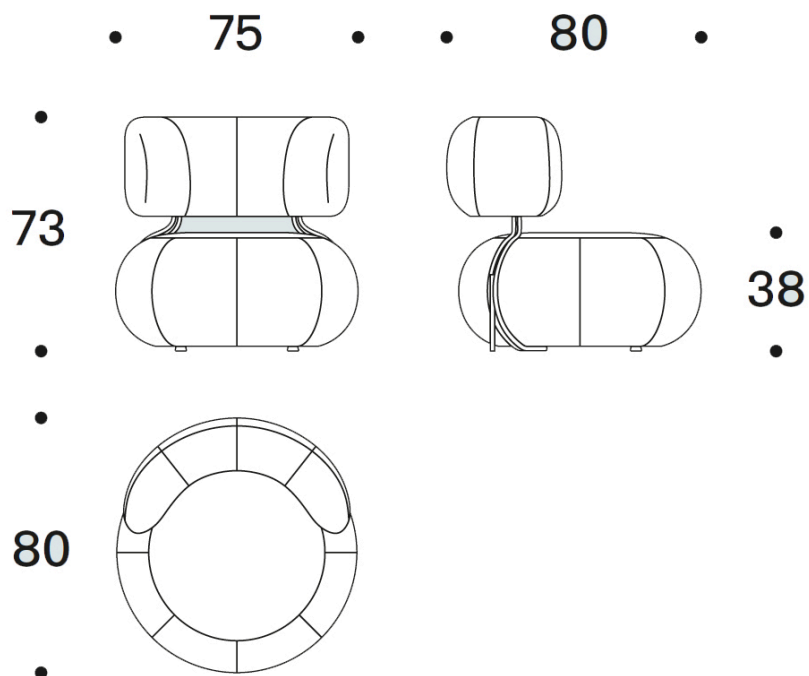
Dimensions

80x75cm

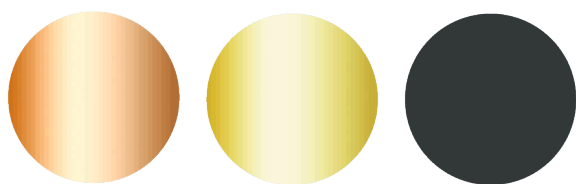
Structure finishing (gray RAL 7021, satin brass, glossy copper)



saba



Finitura struttura / Frame finish



1

2

3

- 1 Rame lucido / Glossy copper
/ Cuivre brillant / Cobre brillante
- 2 Ottone satinato / Satin brass
/ Laiton satiné / Latón satinado
- 3 Grigio / Grey / Gris / Gris