

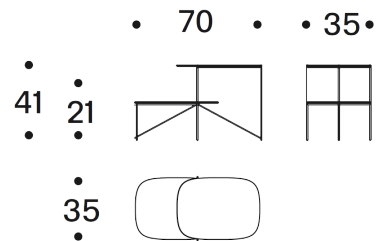
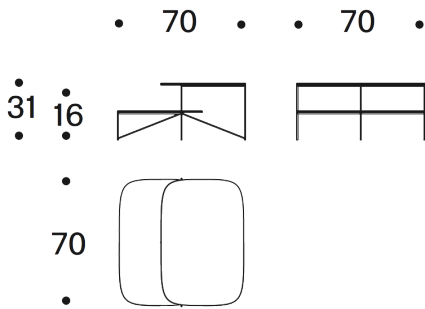
Haiku – Coffee table
Marco Zito, 2014

Haiku is a Japanese word used to describe a poem consisting of just three lines up to a total of seventeen syllables. The coffee table designed by Marco Zito for Saba Italia is in fact made up of three parts – the frame and the two tops. The slim architecture suspends the tops on two levels which play with the partial overlap and combinations of colours in pastel shades, in a simple and well-gauged relationship of balance and proportions.

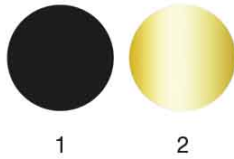
Haiku was designed with a sophisticated palette which plays on subtle shading. Frame in metal rod with matte black coating. Tops in lacquer finish MDF.



Tavolini / Coffee tables



Finitura struttura
/ Frame finish



- 1 Nero opaco / Matt black / Noir mate / Negro mate
- 2 Ottone satinato / Satin brass / Laiton satiné / Latón satinado

Finitura opaca piani / Tops matt finish



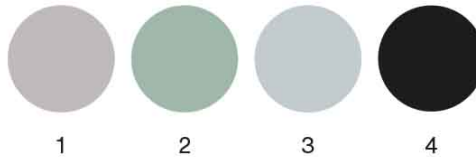
- 1 Nero / Black / Noir / Negro

Finitura struttura
/ Frame finish



- 1 Nero opaco / Matt black / Noir mate / Negro mate

Finitura opaca piani / Tops matt finish



- 1 Cipria / Mud cream / Rose chair / Maquillage
- 2 Verde lichene / Moss green / Vert lichen / Verde líquen
- 3 Grigio / Grey / Gris / Gris
- 4 Nero / Black / Noir / Negro