

New York – Armchair *Sergio Bicego, 2012*

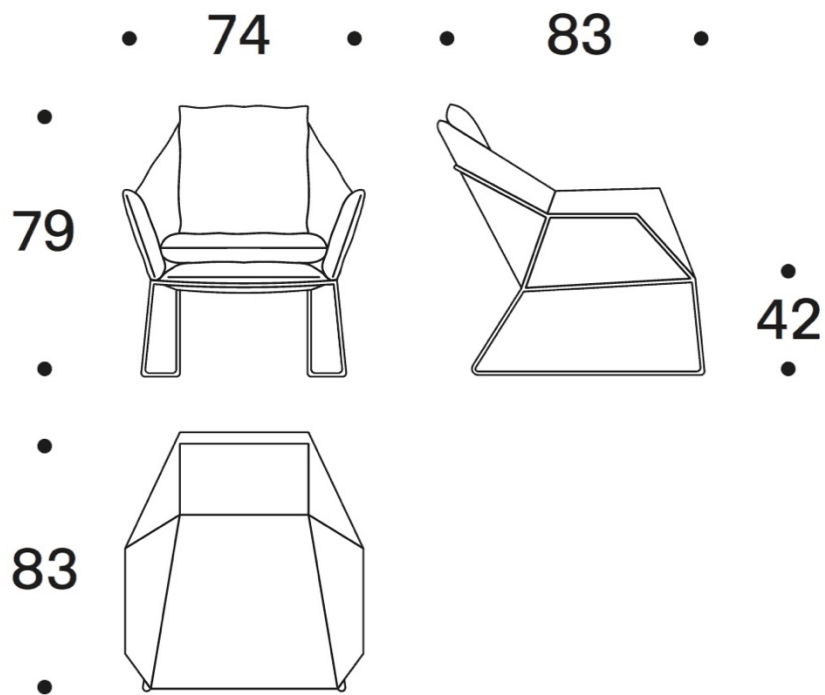
New York is a collection which proudly bears the name of the Big Apple. Two souls, uptown and downtown, enclosed in a single design piece whose fully changeable covers reveal its innate versatility. The New York armchair, with its essential metal frame and endless possibilities of the double textile cushion, allows for a high degree of personalization. The frame in iron rod comes in many colours and coating finishes. Fully removable covers.

Dimensions

74x83x79 cm



saba



Finitura struttura / Frame finish



1

2

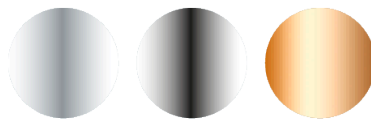
3



4

5

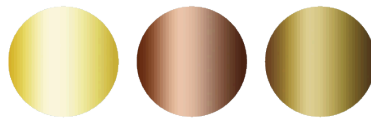
6



7

8

9



10

11

12

1 Bianco / White / Blanc / Blanco

2 Nero / Black / Noir / Negro

3 Rosso / Red / Rouge / Rojo

4 Arancio / Orange / Orange / Naranja

5 Azzurro / Blue / Bleu / Azul

6 Giallo / Yellow / Jaune / Amarillo

7 Cromo / Chrome / Chrome / Cromo

8 Black nichel / Black nickel / Nickel noir / Níquel negro

9 Rame / Copper / Cuivre / Cobre

10 Ottone satinato / Satin brass / Laiton satiné / Latón satinado

11 Bronze copper matt

12 Bronze gold matt