

## **New York Bergère – Armchair** *Sergio Bicego, 2012*

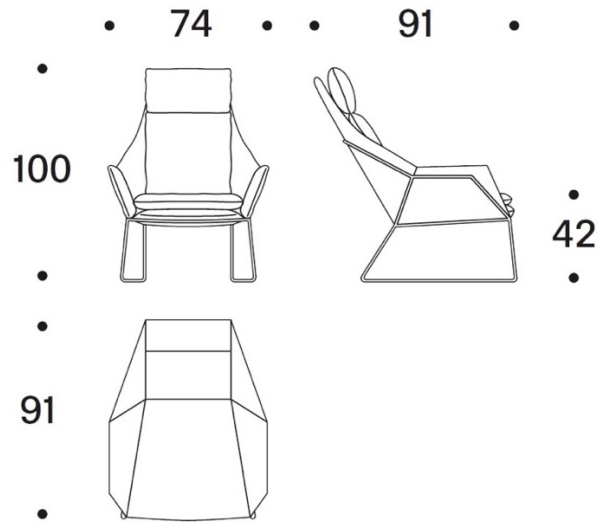
The same frame as the New York armchair boasts the comfortable upholstery of the bergère. The classic function of the armchair for reading or relaxing is ensured by the height of the back, the comfortable headrest and the elegant pouf. An unbroken link with tradition interpreted in a contemporary style with a sophisticated lightness. Fully removable covers.

### Dimensions

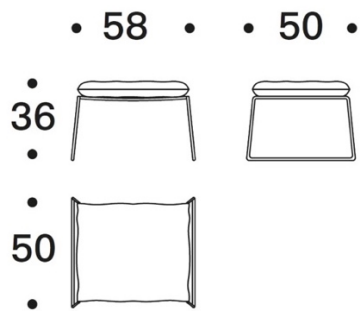
74x91x100 cm



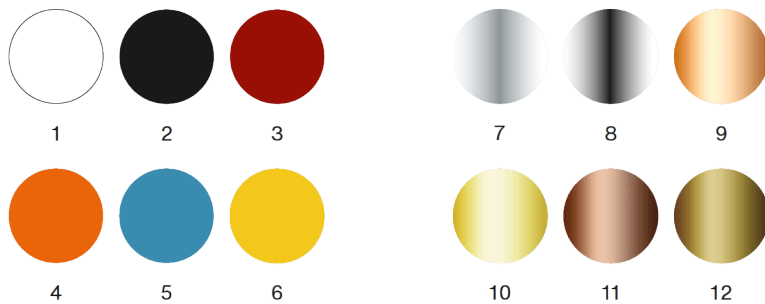
## Armchair



## Pouf



### Finitura struttura / Frame finish



- 1 Bianco / White / Blanc / Blanco
- 2 Nero / Black / Noir / Negro
- 3 Rosso / Red / Rouge / Rojo
- 4 Arancio / Orange / Orange / Naranja
- 5 Azzurro / Blue / Bleu / Azul
- 6 Giallo / Yellow / Jaune / Amarillo

- 7 Cromo / Chrome / Chrome / Cromo
- 8 Black nichel / Black nickel / Nickel noir / Niquel negro
- 9 Rame / Copper / Cuivre / Cobre
- 10 Ottone satinato / Satin brass / Laiton satiné / Latón satinado
- 11 Bronze copper matt
- 12 Bronze gold matt