

Ring – Coffee tables *Serena Confalonieri, 2018*

Elegant like jewellery, the Ring coffee tables are inspired by raw cuts of precious stones prior to being mounted into rings. The choice of materials is aimed to emphasise this inspiration behind the collection. The metal base structures are available in copper, brass, steel and nickel, each of which corresponds to a geometric form. Like in jewellery design, the glass tops in transparent or light colours are literally set onto the base structures.

Finishing and dimensions

Round coffee table diam.48 x 50 cm polished copper structure - smoked glass top

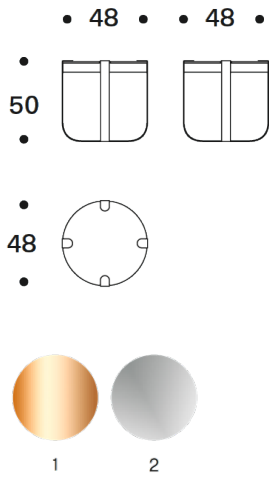
Square coffee table 53 x 53 x 45 cm satin finished brass structure - extra clear glass top

Octagonal coffee table 67 x 67 x 40 cm black nickel structure - bronze glass top

Oval coffee table 58 x 100 x 40 cm glossy chrome structure - sea water glass

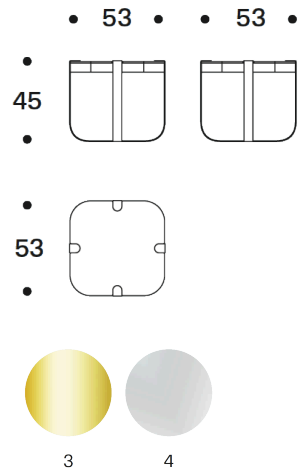


Tondo / Round



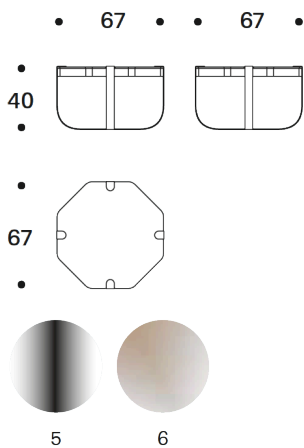
Tondo / Round / Ronde / Redondo
 1 Rame / Copper / Cuivre / Cobre
 2 Fumè / Fumè / Fumè / Ahumado

Quadrato / Square



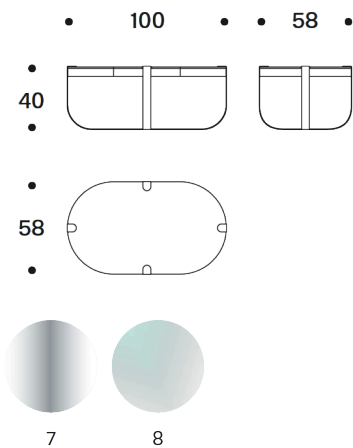
Quadrato / Square / Carré / Cuadrado
 3 Ottone satinato / Satin brass
 / Laiton satiné / Latón satinado
 4 Trasparente / Transparent / Transparent
 / Transparente

Ottagonale / Octagonal



Ottagonale / Octagonal / Octagonal
 / Octagonal
 5 Black nichel / Black nickel / Nickel noir
 / Níquel negro
 6 Bronzo / Bronze / Bronze / Bronce

Ovale / Oval



Ovale / Oval / Ovale / Oval
 7 Cromo / Chrome / Chrome / Cromo
 8 Acqua marina / Sea water / Eau de mer
 / Agua de mar